

CD 12

Setup Sheet

Date: _____ Temp/Air: _____

Driver: _____

Track/Race Location: _____

Comments: _____

Body Type and Make: _____

Battery Type: _____

Motor Type and Wind: _____

Gearing: ____/____

Speed Control: _____ Current Limiter: _____

Receiver: _____


FRONTEND

Kingpin Lube: _____

Springs: _____

Upper Arm Mounts: 0° 5° 10°

Camber: _____°

Caster: 

FRONT RIDE HEIGHT SPACERS: _____

STEERING BLOCK STD INLINE

CAMBER, left _____ right _____

TOE-IN: _____° TOE-OUT: _____°

SPRINGS: .018 .020 .022 .024 OTHER _____

KINGPIN STD OTHER _____

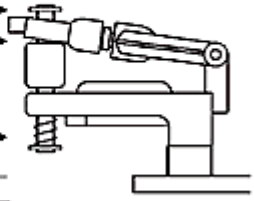
LABEL DRAWING FOR SHIM position, qty and thickness:

shim qty, thickness: _____

shim qty, thickness: _____

shim qty, thickness: _____

NOTES _____



SHOCK

BODY STD OTHER _____

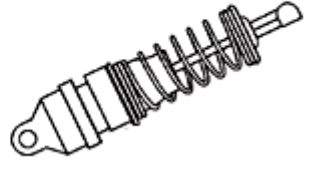
OIL _____ WT _____

SPRING _____

LIMITERS inside _____

outside _____

NOTES _____



REAREND

Damper Lube: _____

Ride Height Adjuster: #4-up #1-up #2-up

#3 #2-down #1-down #4-down

Side Springs: _____

Tire Type (front): _____ (rear): _____

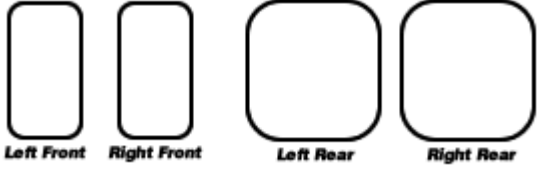
Tire Diameter (front): _____ (rear): _____

Wheel Type (front): _____ (rear): _____

Axle Shims: _____

Tire Treatment: _____

shade in amount of tire treatment



Left Front Right Front Left Rear Right Rear
